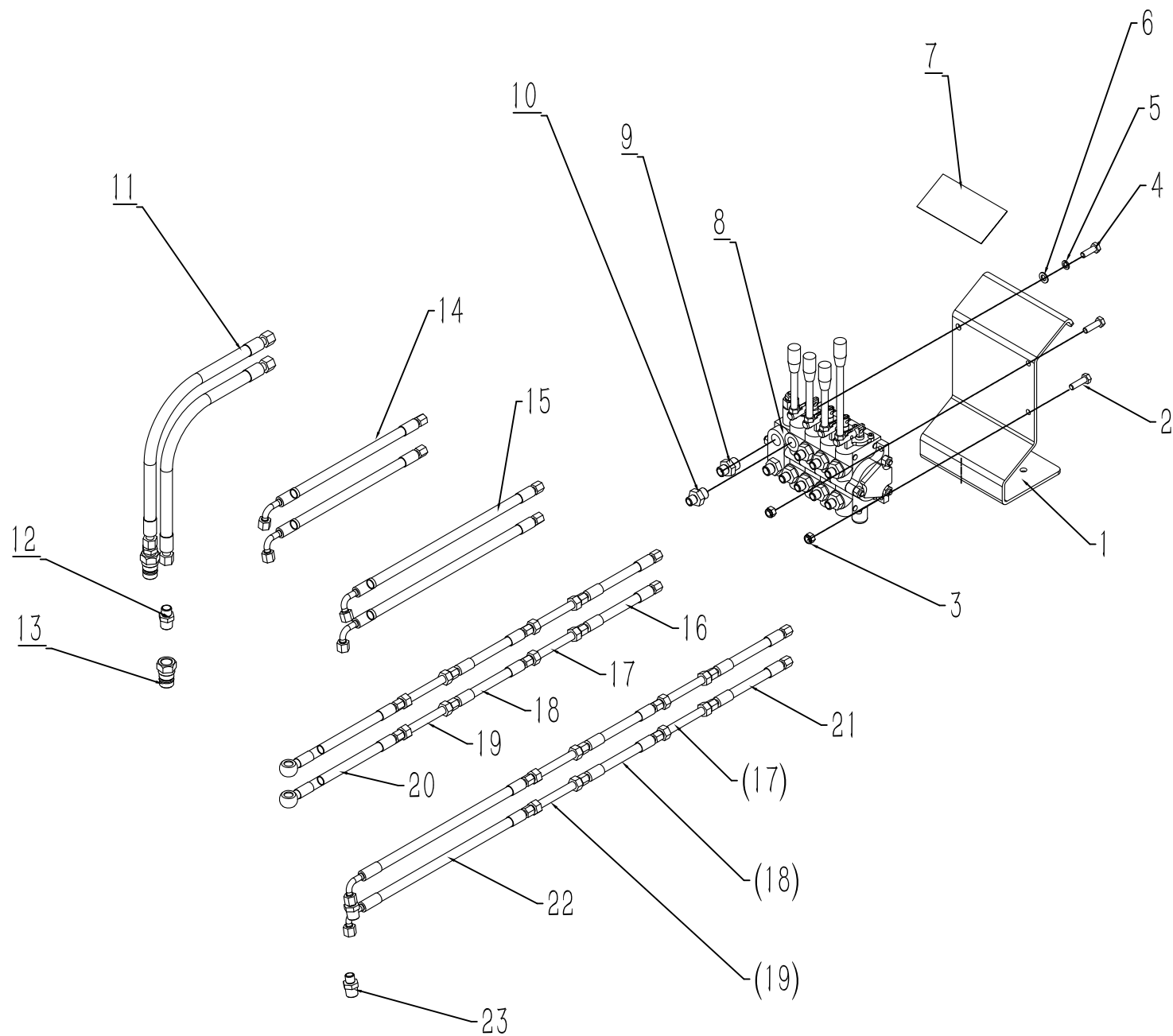


CRM150.001

No.1	Code	Description		QTY	Remarks
1	CRM150.011	Main Frame Weldment	主框焊合件	1	
2	CRM150.012	Stand Weldment	立柱焊合件	1	
3	CRM150.013	Swing Weldment	摆臂焊合件	1	
4	CRM150.014	Connection Seat Weldment	连接座焊合件	1	
5	CRM150.015	Left Connecting Weldment	左链板焊合件	1	
6	CRM150.016	Right Connecting Weldment	右链板焊合件	1	
7	CRM150.017	Middle Connecting Weldment	中链板焊合件	1	
8	CRM150.018	Lower Hanging Weldment	下悬挂座焊合件	1	
9	CRM150.002	Hydraulic System	液压系统总成	1	
10	CH150.001	Sickle Bar Mower	剪草机总成	1	
11	GB5783-M14x40	Bolt M14x40	螺栓M14x40	4	
12	GB97.1-14	Washer 14	平垫圈14	4	
13	GB889.1-M14	Lock Nut M14	锁紧螺母M14	4	
14	GB889.1-M18x1.5	Lock Nut M18x1.5	锁紧螺母M18x1.5	12	
15	CRM150.101	Axle 127	销轴127	8	
16	CRM150.020	Reversal Cylinder	翻转油缸	1	
17	CRM150.102	Axle 118	销轴118	4	
18	CRM150.021	Swing Cylinder	摆臂油缸	1	
19	CRM150.022	Stand Cylinder	立柱油缸	1	
20	FLP180.005	Valve	液控单向阀总成	2	
21	CRM150.023	Oil Hose 1	油管组合件1	2	
22	CRM150.103	Short Adapter 16-16	短接头16-16	2	
23	GB3451-M16x30	Hydraulic Bolt M16x1.5x30	铰接螺栓M16X1.5X30	6	
24	GB3451-16	Copper Washer 16	铜垫圈16	12	
25	TTP214	Clip	管夹14	8	
26	GB5783-M8x40	Bolt M8x40	螺栓M8x40	8	
27	CRM150.104	Sleeve	隔套	1	
28	LP-12	Lock Pin 12	锁销12	3	
29	BH5.40.101	Upper Pin	上悬挂销	1	
30	BH5.40.108	Low Pin	下悬挂销	2	
31	GB5782-M16x60	Bolt M16x60	螺栓M16x60	2	
32	GB889.1-M16	Lock Nut M16	锁紧螺母M16	2	
33	CRM150.024	Oil Hose 2	油管组合件2	2	
34	CRM150.105	Long Adapter 16-16	长接头16-16	2	
35	GB1152-M6	Grease Nipple M6	油嘴M6	5	
36	CRM150.019	Skidder	撑脚焊合件	2	



CRM150.002

No.	Code	Description		QTY
1	CRM150.201	Valve Seat	阀座	1
2	GB5783-M10x35	Bolt M10x35	螺栓M10x35	2
3	GB889.1-M10	Lock Nut M10	锁紧螺母M10	2
4	GB5786-M10x1.25x30	Bolt M10x1.25x30	螺栓M10x1.25x30	1
5	GB93-10	Spring Washer 10	弹垫圈10	1
6	GB97.1-10	Washer 10	平垫圈10	1
7	CRM150.202	Lable	指示牌	1
8	CRM150.003	Quadruple Multi-way Valve	四联多路阀	1
9	CRM150.203	Valve-in Adapter	阀输入接头	2
10	CRM150.204	Valve-out Adapter	阀输出接头	8
11	CRM150.030	Valve-in Oil Hose	阀进出油管	2
12	CRM150.205	Adapter R1/2-18	接头R1/2-18	2
13	QC-R1/2-M	Adapter R1/2-M	快换接头R1/2-阳	2
14	CRM150.031	Stand Oil Hose	立柱油管	2
15	CRM150.032	Swing Oil Hose	摆臂油管	2
16	CRM150.033	Swirl Oil Hose1	转动油管1	2
17	CRM150.034	Pipe 1	硬管1	4
18	CRM150.035	Oil Hose	过渡油管	4
19	CRM150.036	Pipe 2	硬管2	4
20	CRM150.037	Swirl Oil Hose2	转动油管2	2
21	CRM150.038	Motor Oil Hose 1	马达油管1	2
22	CRM150.039	Motor Oil Hose 2	马达油管2	2
23	CRM150.206	Adapter R1/2-16	接头R1/2-16	2